



Charge Control L Development and Test Adapter

chargebyte GmbH

Oct 18, 2022

1 Revisions

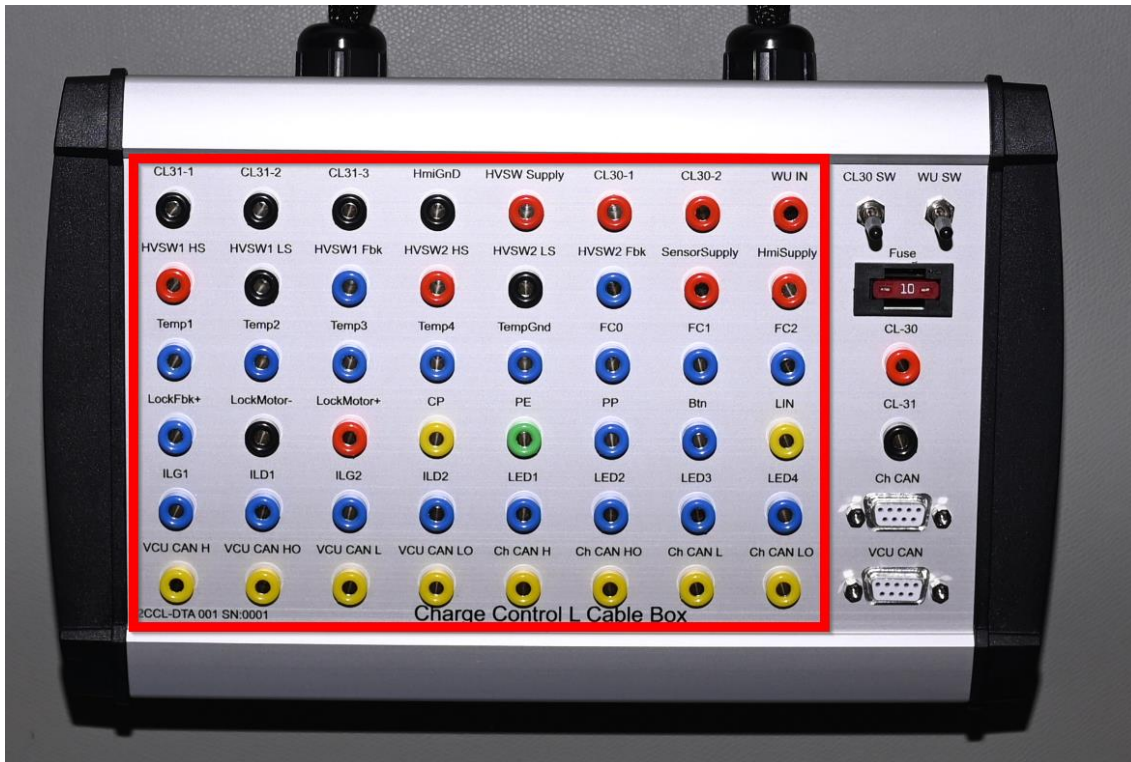
Revision	Release Date	Changes
1	18.10.2022	initial Version

2 Introduction

To decrease the effort of setting up and configuring the CCL for new customers, a Development and Test Adapter (DTA) or Cable Box is available.



3 Pin Matrix Colors and Names



Row	Column	Name	Color
1	1	CL31-1	Black
1	2	CL31-2	Black
1	3	CL31-3	Black
1	4	HmiGnD	Black
1	5	HVSW Supply	Red
1	6	CL30-1	Red
1	7	CL30-2	Red
1	8	WU IN	Red
2	1	HVSW1 HS	Red
2	2	HVSW1 LS	Black
2	3	HVSW1 Fbk	Blue
2	4	HVSW2 HS	Red
2	5	HVSW2 LS	Black
2	6	HVSW2 Fbk	Blue
2	7	SensorSupply	Red
2	8	HmiSupply	Red
3	1	Temp1	Blue
3	2	Temp2	Blue
3	3	Temp3	Blue
3	4	Temp4	Blue
3	5	TempGnd	Blue
3	6	FC0	Blue
3	7	FC1	Blue
3	8	FC2	Blue
4	1	LockFbk+	Blue
4	2	LockMotor-	Black
4	3	LockMotor+	Red
4	4	CP	Yellow
4	5	PE	Green
4	6	PP	Blue

4	7	Btn	Blue
4	8	LIN	Yellow
5	1	ILG1	Blue
5	2	ILD1	Blue
5	3	ILG2	Blue
5	4	ILD2	Blue
5	5	LED1	Blue
5	6	LED2	Blue
5	7	LED3	Blue
5	8	LED4	Blue
6	1	VCU CAN H	Yellow
6	2	VCU CAN HO	Yellow
6	3	VCU CAN L	Yellow
6	4	VCU CAN LO	Yellow
6	5	Charge CAN H	Yellow
6	6	Charge CAN HO	Yellow
6	7	Charge CAN L	Yellow
6	8	Charge CAN LO	Yellow

Color indication:

Red	Associated with positive voltages
Black	Associated with GND level
Yellow	Communication
Blue	Sensor or Actuator
Green	Shielding

4 Additional Connectors

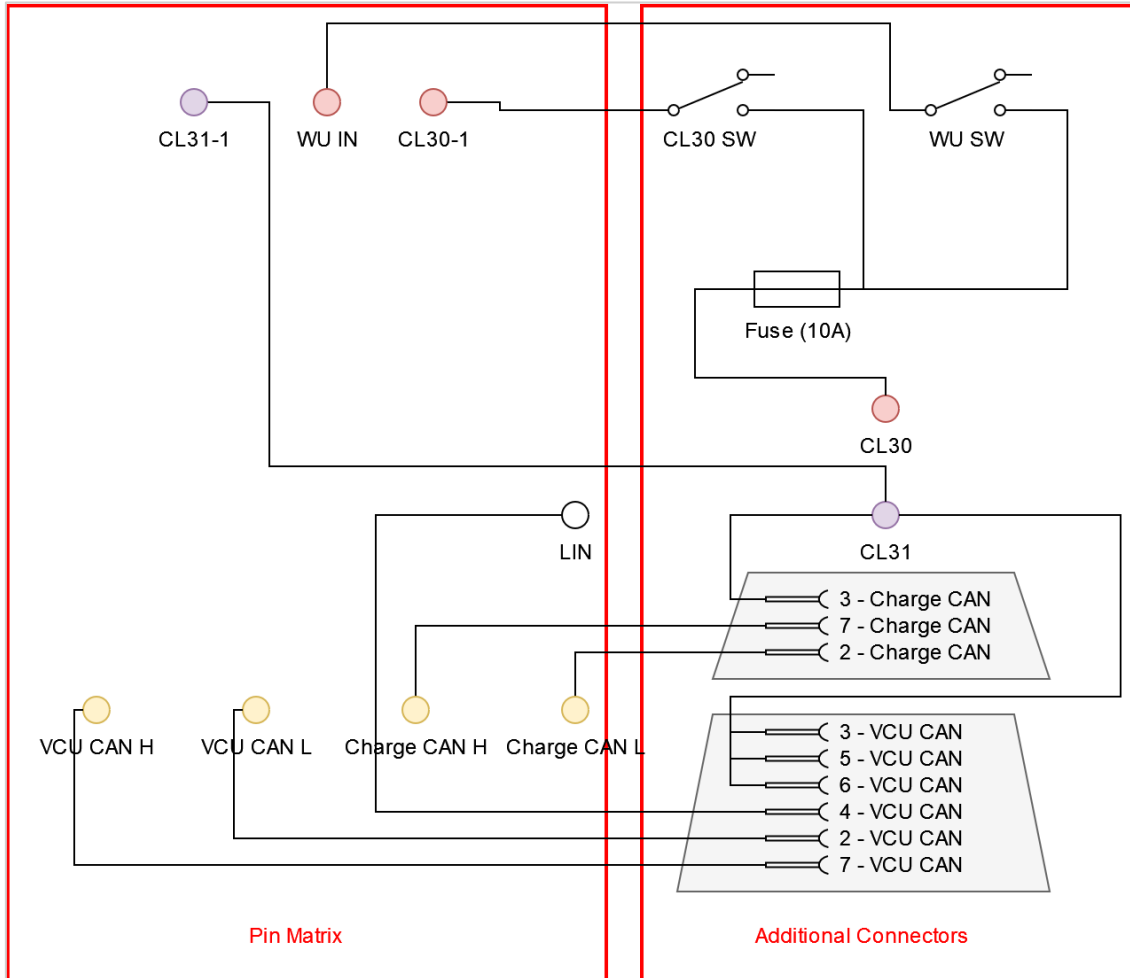


Row	Column	Name	Color
1	9	CL30 SW	N/A

1	10	WU SW	N/A
2	9	Fuse	N/A
3	9	CL30	Red
4	9	CL31	Black
5	9	Charge CAN	N/A
6	9	VCU CAN	N/A

5 Circuit

The additional connectors at the right side are connected as follows:



6 Product Variants / Order Code

I2CCL	-DTA-	001	Standard variant, with standard functions
-------	-------	-----	---

7 Contact

chargebyte GmbH
 Bitterfelder Straße 1-5

04129 Leipzig
 Germany

<https://chargebyte.com/>